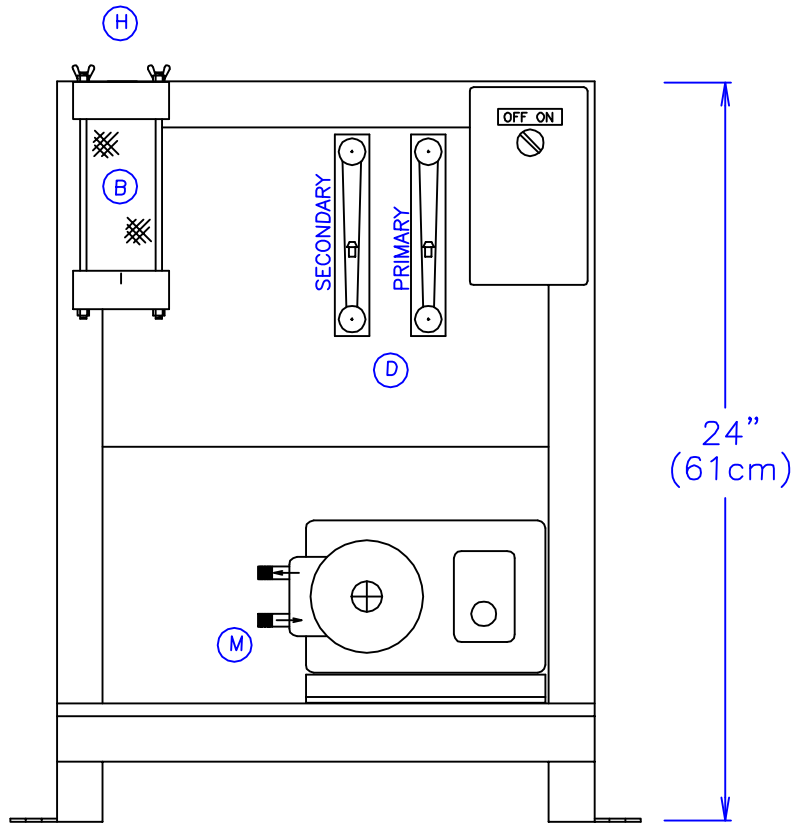
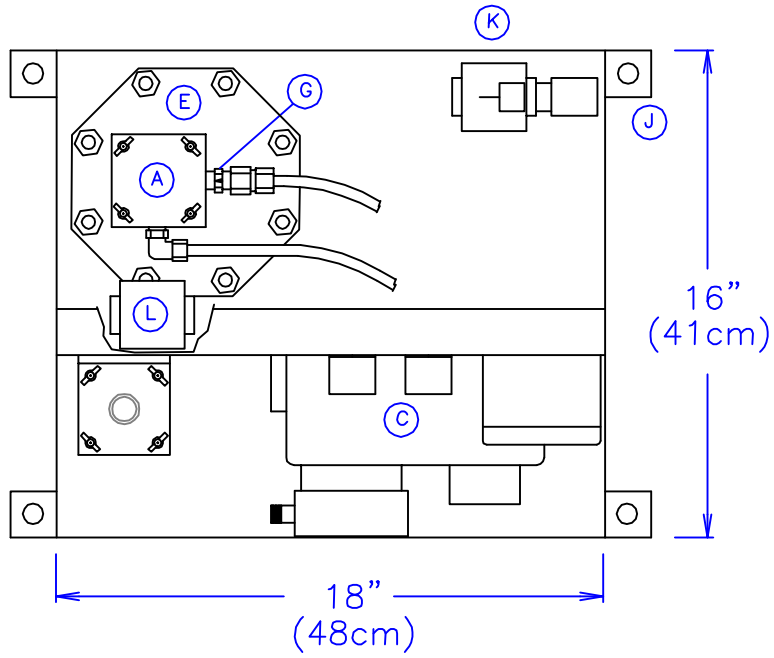


ITEM	DESCRIPTION
A	POLYMER ACTIVATING APPARATUS
B	SIGHT GLASS
C	METERING PUMP
D	WATER FLOWMETERS WITH VALVES
E	BLENDING / AGING CHAMBER
G	POLYMER INJECTION CHECK VALVE
H	SOLUTION DISCHARGE- 1/2"NPT
J	WATER INLET - 1/2"NPT
K	WATER SOLENOID
L	LOW WATER FLOWSWITCH
M	POLYMER INLET - 3/8" HOSE



EXCELL FEEDERS, INC.
SOMERSET, NJ. 08873
(732)828-8655

SERIES 6000PSA, PERISTALTIC PUMP
GENERAL LAYOUT