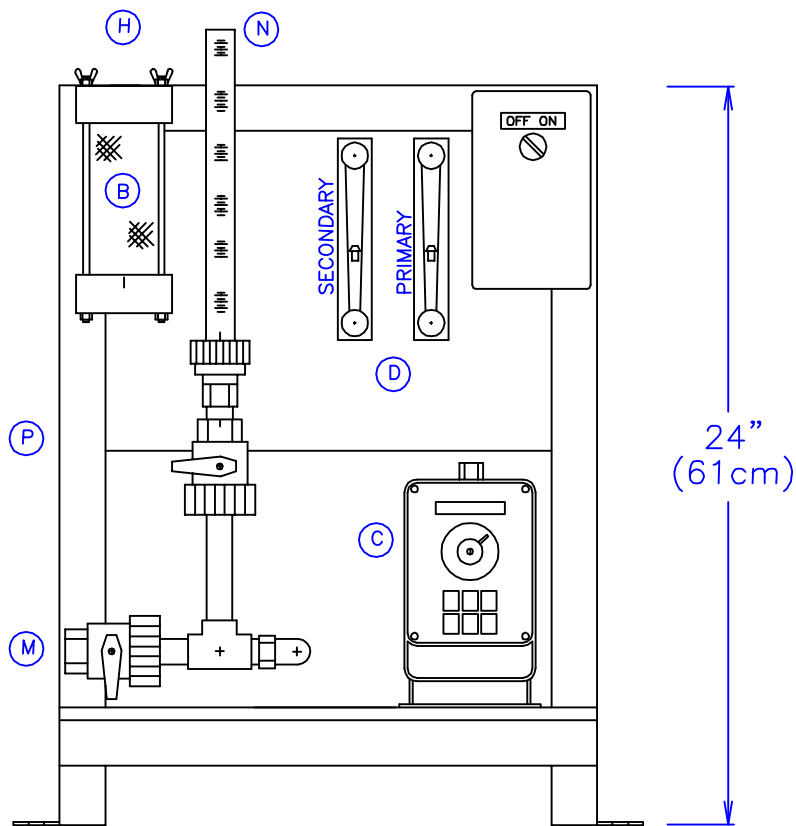
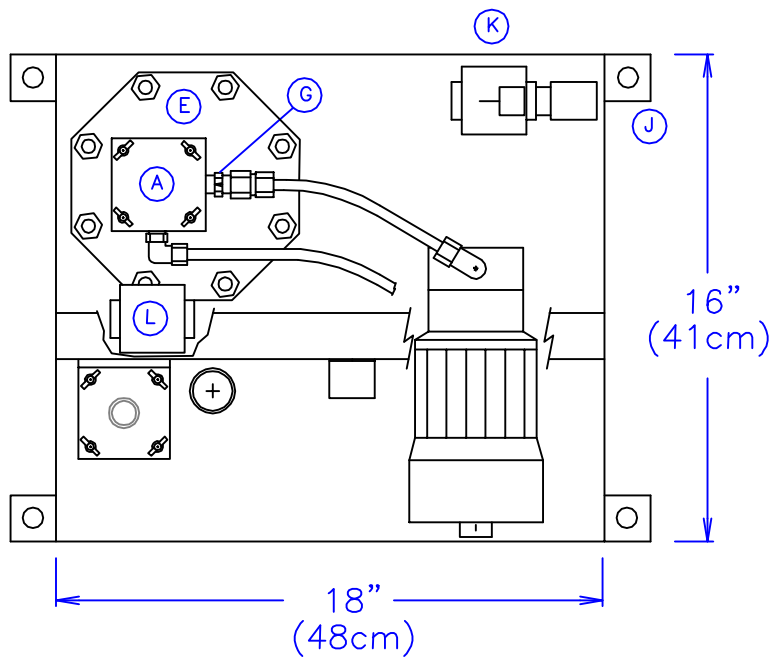


ITEM	DESCRIPTION
A	POLYMER ACTIVATING APPARATUS
B	SIGHT GLASS
C	METERING PUMP
D	WATER FLOWMETERS WITH VALVES
E	BLENDING / AGING CHAMBER
G	POLYMER INJECTION CHECK VALVE
H	SOLUTION DISCHARGE- 1/2"NPT
J	WATER INLET - 1/2"NPT
K	WATER SOLENOID
L	LOW WATER FLOWSWITCH
M	POLYMER INLET - 1/2"NPT
N	PUMP CALIBRATION CYLINDER
P	STAINLESS STEEL FRAME



EXCELL FEEDERS, INC.  
SOMERSET, N.J. 08873  
(732)828-8655

SERIES 6000A, DIAPHRAGM PUMP  
GENERAL LAYOUT