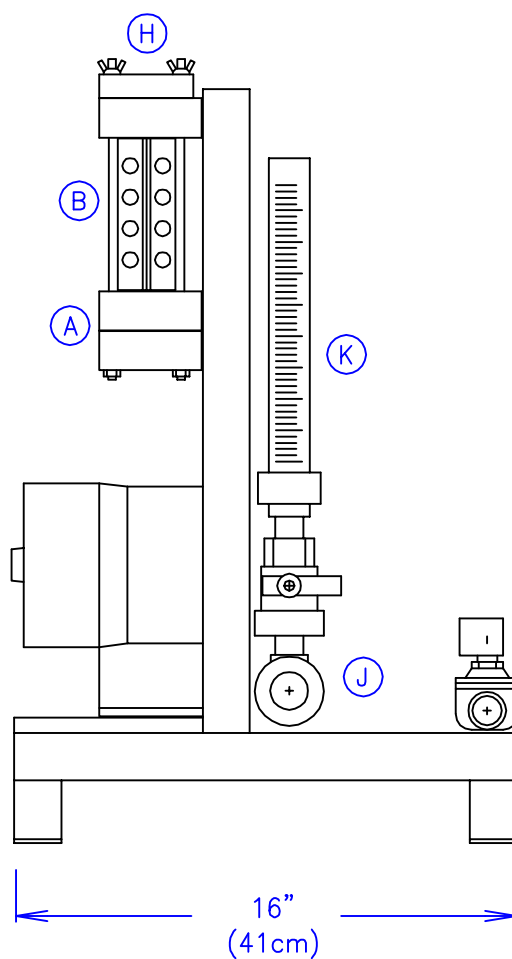
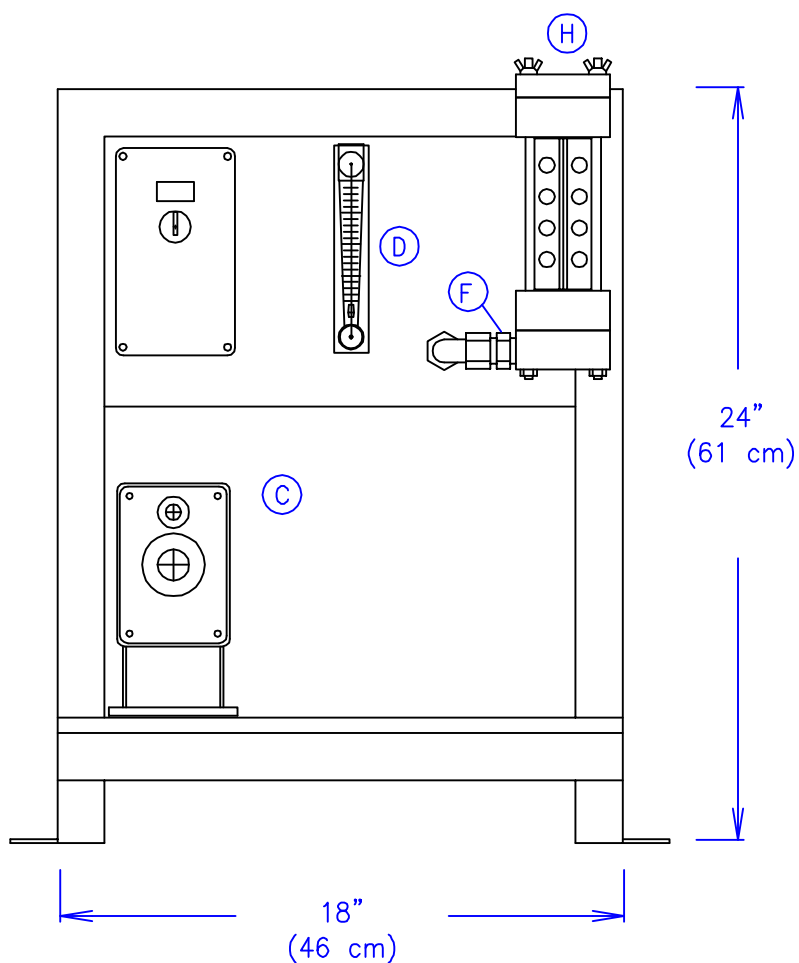


ITEM	DESCRIPTION
A	POLYMER ACTIVATING APPARATUS
B	SELF CLEANING SIGHT GLASS
C	METERING PUMP
D	WATER FLOWMETER & VALVE
E	METERING PUMP VENT VALVE
F	POLYMER INJECTION CHECK VALVE
G	DRAIN VALVE
H	SOLUTION DISCHARGE - 1/2" NPT
I	WATER INLET - 1/2" NPT
J	POLYMER INLET - 1/2" NPT
K	PUMP CALIBRATION CYLINDER
L	WATER STRAINER
M	WATER SOLENOID VALVE
N	WATER LOW-FLOW SWITCH



EXCELL FEEDERS
SOMERSET, NJ
732-828-8655

SERIES 6000, DIAPHRAGM PUMP
5 GPM (20 LPM) CAPACITY